

Sentinel™ Series Thermoplastic Housed Mounted Bearing Units



What is Sentinel Series?



NTN's Sentinel Series is a premium line of corrosion-resistant products developed for the harsh conditions of the food & beverage industry. With available products ranging from deep groove ball bearings, bearing inserts and mounted units available in numerous combinations of housings, protective covers, grease and sealing options, Sentinel Series provides a family of food & beverage market solutions to improve overall equipment effectiveness, increase production and provide value.

Key product characteristics

- Sentinel Series thermoplastic mounted bearing units are equipped with solid-base reinforced PBT housings.
- Sentinel Series mounted bearing units are cap capable allowing you to add or remove covers depending on your application needs.
- Sentinel Series insert bearings are filled with FDA H1 food grade grease or NTN's H1 solid polymer lubricant.
- Sentinel Series is designed with food safety and overall equipment effectiveness in mind.

Materials

Inner/Outer Races & Balls

- 440C Stainless Steel

Retainer/Cage

- 302 Stainless Steel

Slinger and Seal

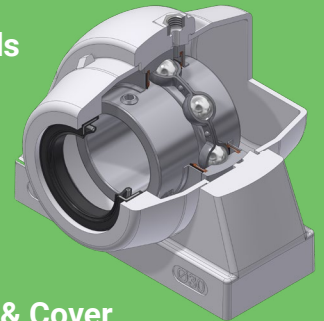
- 302 Stainless Steel
- Silicone Rubber

Thermoplastic Housing & Cover

- PBT - Thermoplastic

Greases

- H-1 Food-Grade Grease
- H-1 Solid Lubricant (FG1)



Please contact your local
NTN Sales Representative
for more details.

www.ntnamericas.com

Thermoplastic Mounted Bearings

Reinforced PBT Thermoplastic Housings

- Smooth surfaces and cavity-free construction
- Excellent chemical resistance and mechanical properties
- Seamless stainless steel zerk anchor and bolt hole sleeves

Size Range from 201 to 208

- Inch = 1/2" up to 1-1/2"
- Metric = 12mm to 40mm



Material	Insert Type	Housing	Size	Bore Diameter	Suffix	Grease
S	UC	PPL	208	24	CC	FG1

1. MATERIAL

- S: Stainless steel
- Z: Clear zinc chromate

2. INSERT TYPE

UC: Wide inner ring, set screw type w/ slinger

3. HOUSING

Thermoplastic

- PPL: Pillow block
- TBL: Tapped-base pillow block
- NFL: Two-bolt flange
- FBL: Three-bolt flange bracket
- FPL: Four-bolt flange
- TPL: Take-up unit

4. SIZE

2xx: Basic size

5. BORE DIAMETER

XX: Bore diameter in 16ths of an inch (ex: 24/16 = 1.5")

6. SUFFIX

- CC: Closed cover +
 - CO: Open cover +
 - Blank: No cover
- + - 1 additional open cover included for pillow blocks

7. GREASE

- Blank: Food-grade grease
- FG1: Food-grade solid lube



FOOD & BEVERAGE

